

General

Get several logos, clocks, animations and texts simultaneously on air.

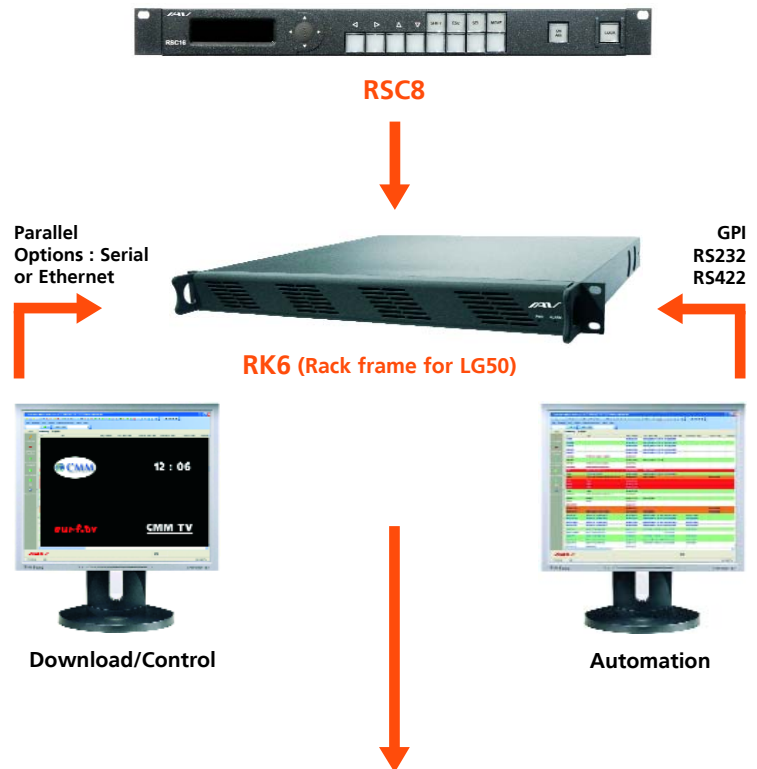
The **LG50** is a family of digital inserters with built-in keyer supporting several logos, texts and digital clocks. The LG EDIT software allows to create all your logos, clocks and texts from any graphic files in a few minutes. It downloads your graphics from your PC to the **LG50**.

The **LG50** is a euronorm board. Up to 6 boards can fit in a 1U-19" frame.

LG50L : Digital Logo Generator

LG50TL : Digital Logo & Text Generator

LG50C : Digital Logo & Clock Generator



LG50L

The **LG50L** is a cost effective **broadcast digital logo generator**, with built in keyer.

- Static and animated logos (2 to 4 layers)
- Euronorm board
- Up to six LG50 in a 1U – 19" frame
- Can be fitted in MX-AIR and RK family frames



LG50TL

The **LG50TL** is a cost effective **broadcast digital text and logo generator**, with built in keyer.

- Static and animated logos
- Static or crawl text
- Euronorm board
- Up to 2 layers (text and/or logos)
- Up to six LG50 in a 1U – 19" frame
- Can be fitted in MX-AIR and RK family frames



LG50C

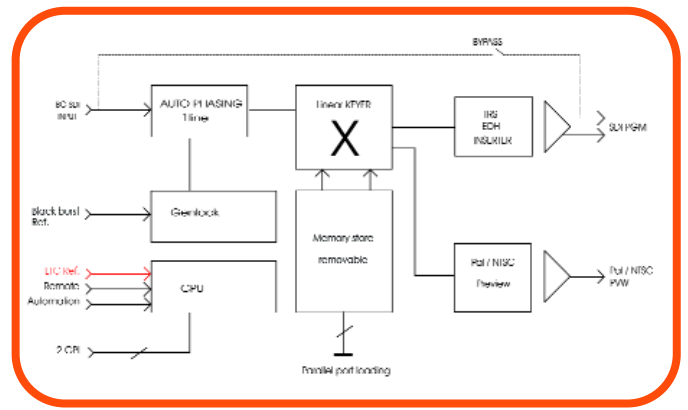
The **LG50C** is a cost effective **broadcast digital clock generator**, with built in keyer.

- Static and animated logos
- Digital clock HH:MM:SS or clock HH:MM + logo
- Euronorm board
- Up to six LG50 in a 1U – 19" frame
- Can be fitted in MX-AIR and RK family frames



Common Specifications

- Processing 4:2:2:4 4/3 or 16/9 formats 525/625 operation
- Security bypass on power failure
- Windows software provided for transparency / position settings and graphic files download to the LG50 in a parallel, serial (option) or ethernet (option) port
- 2 SDI PGM outputs (sync processed with genlock)
- 1 Analog monitoring output PAL or NTSC
- 1 SDI background input with 1 line auto-phasing
- Storage memory on a removable board
- Hotswap board
- 2 serial communication ports (1 for remote control / 1 for automation)
- Standard input file : BMP and TARGA
- Remote control panel (option RCS8/RSC16) for recall and logo repositionning sequences
- 2 closing contacts for GPI control
- Built in linear keyer 10 bits
- Smooth fade capability
- Up to 6 boards in 1U rack frame (RK6)



- EDH inserter
- Transparent to auxiliary data and embedded audio
- External analog black burst reference
- CE & FCC Part 15 compliant
- Euronorm board 220 x 100 mm

LG50L Specifications

- 2 simultaneous logos on screen (expandable to 4 with option 1)
- Animated logos (with option 2)
- Storage capacity : 6 Mbytes expandable to 48 Mbytes

LG50TL Specifications

- 2 simultaneous on screen logos or 1 logo and 1 text
- Static text or animated with crawl
- Static & animated logos
- Storage capacity : 12 Mbytes expandable to 48 Mbytes

LG50C Specifications

- Digital clock HH:MM:SS or HH:MM and static or animated logo
- Storage capacity of 12 Mbytes (expandable to 48)
- External time reference LTC balanced

Remote control panels

• RSC8

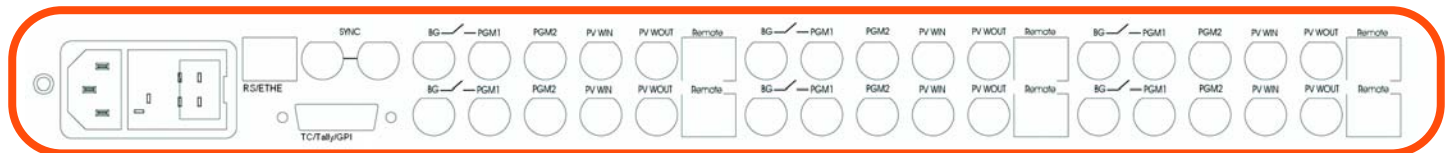
- Control panel for 8 sequences :
- can reposition each logo
 - can control one LG50

• RSC16

- Control panel for 16 sequences :
- can reposition each logo
 - can control up to 6 LG50 fitted in one rack frame with option RK6-OPT1



Rear Panel RK6



Options

- **LG50-OPT 1 (for LG50L) :** 4 layers option (4 simultaneous logos)
- **LG50-OPT 2 (for LG50L) :** animation capability
- **LG50-OPT 5 :** Serial to parallel converter (uses 1 slot in the rack frame)
- **LG50-OPT 6 :** Digital Fill and SDI Key outputs
- **MEM-12/24/48 :** Hardware Memory extensions (when ordered) : 12/24/48 Mbytes
- **FMC-12/24/48 :** Memory boards to 12/24/48 Mbytes

Related products

- **IP-LOADER :** Euronorm board (needs 1 slot in a frame) allowing to convert up to 5 LG50 parallel ports to Ethernet TCP-IP
- **RSC8 :** 8 keys remote control panel for one LG50L (1U-19")
- **RSC16 :** 16 keys remote control panel for networked set of LG50L (1U-19")
- **RK14L :** 1U-1/4 19" frame for 1 Euronorm board with 1 power supply
- **RK6-3 :** 1U-19" frame with 1 power supply for 3 Euronorm boards
- **RK6 :** 1U-19" frame with 1 power supply for 6 Euronorm boards
- **RK6D :** 1U-19" frame with 2 power supplies for 4 Euronorm boards (redundancy)
- **RK6-OPT1 :** Serial remote control hub for 6 boards in RK6 rack frame family integrated in the rack frame