

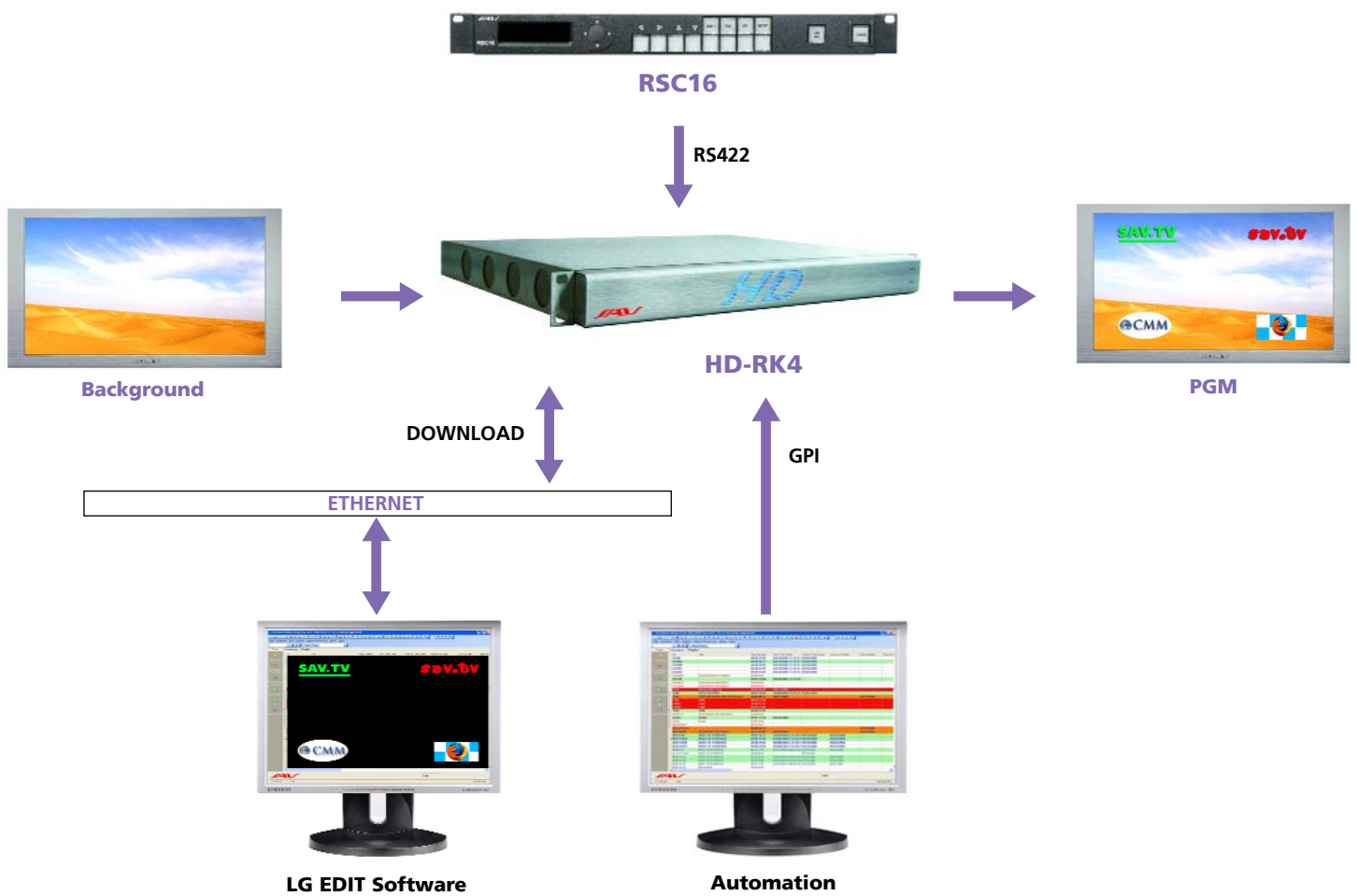
General

HD-LOGO is a 4 layers SD/HD logo generator board with built-in keyer. Each of the four channels provide static or animated logos. Logos are loaded via the Ethernet port in BMP, TGA formats.

HD-LOGO can be fitted in a rack frame that comes with automatic bypass capability as standard and can host up to four boards (for 4 channels or up to 16 logos on the same screen) in only 1 U. This rack frame can also be fitted with **HD-EASYMIX** and **HD-DSK** boards.



HD-LOGO



Description

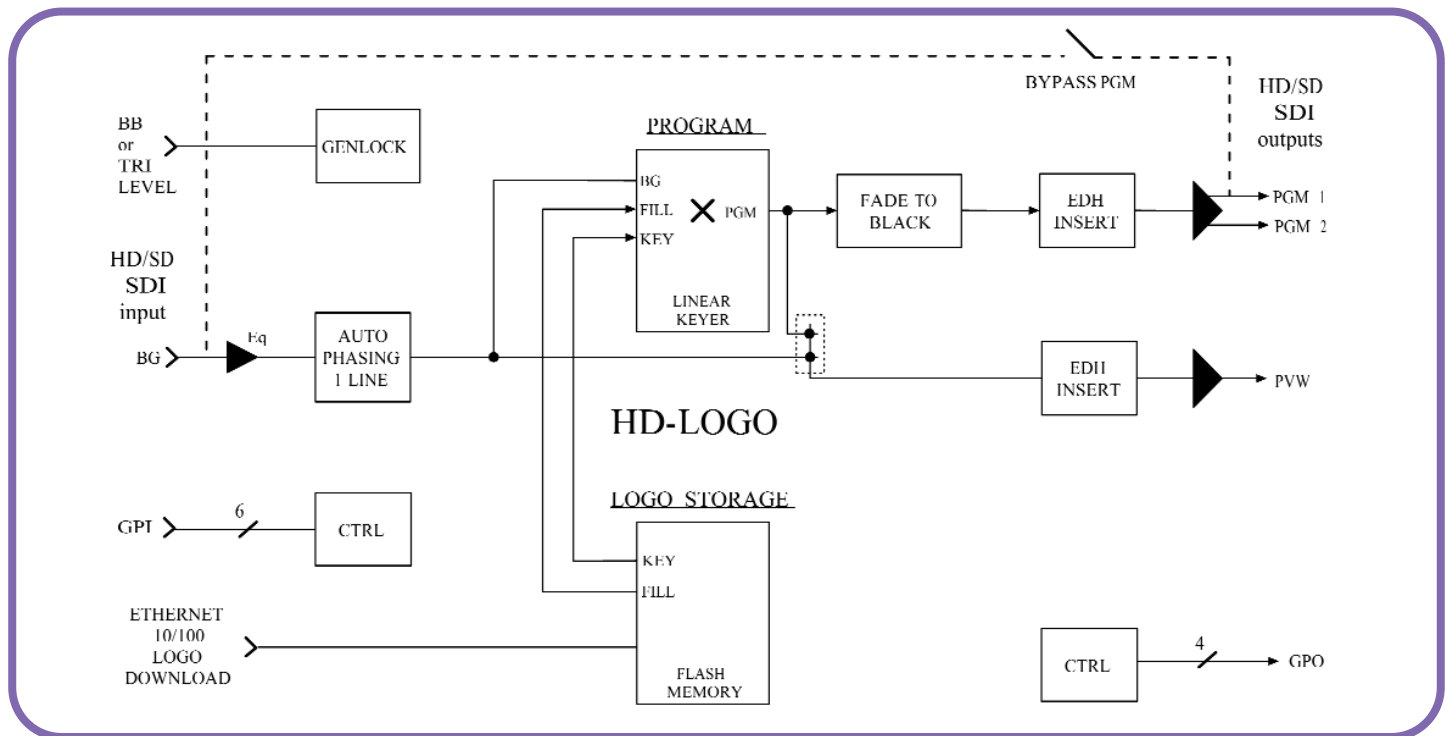
- Broadcast Digital Logo Inserter
- Static and animated logos
- 4 layers
- Automatic by-pass
- Space saving : 1U 19" for 4 HD-LOGO boards

Applications

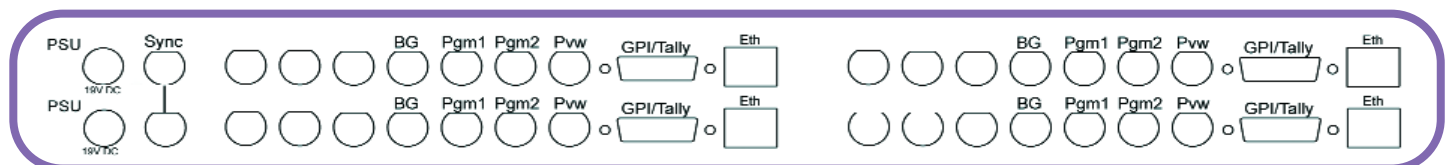
- Branding applications

Specifications

- 4 layers Logo Generator
- Static and animated Logos
- Ethernet 10/100 base T Download
- 384 Mbytes of Flash Memory (64 full screen)
- Windows software provided for transparency, position settings and download
- Standard input files : BMP or TARGA
- SD SDI (270Mb/s) and HD SDI (1.485Gb/s) operation
- HD-LOGO is multi standards :
 - > SD 625i (EBU BT601)
 - > SD 525i (SMPTE 125M)
 - > HD 1080i/50 (SMPTE 274M-6)
 - > HD 1080i/59.94 (SMPTE 274M-5)
 - > HD 720p/50 (SMPTE 296M-3)
 - > HD 720p/59.94 (SMPTE296M-2)
- Internal 12 bits
- 1 SDI BG input with autophasing 1 line
- 2 SDI Program outputs
- 1 SDI Program output with bypass in the rack frame
- 1 SDI Preview output
- Transparent to auxiliary data and embedded audio
- EDH insertion
- 1 analogue reference sync. with loop through
 - > Black burst sync. for SD
 - > Tri-level sync. for HD
- Genlock with horizontal and vertical phasing
- Transition : Cut or Fade
- Fade to black on Program
- Remote Control Panel (option RSC8/RSC16) for recall and logo repositionning sequences
- 6 GPI operated by connecting to GND
- 4 GPO open collector pull-down Tally
- Up to 4 HD-DSK in 1U-19" rack frame
- Power SUPPLY FOR RACK FRAME: max 90W, 100V to 250V, 50/60Hz
- dual redundant PSUs (optional)
- CE & FCC Part 15 compliant



Rear Panel HD-RK4



Related products

- **HD-RK4** : Frame (1U-19") for up to 4 boards with 1 power supply (external)
- **RSC8** : Control Panel for 8 sequences
- **RSC16** : Control Panel for 16 sequences
- **PW 90** : Spare or redundant power supply for HD-RK4