

## General

The **HD-DSK** is a high definition downstream keyer. Each channel provides fill, key, background and preview input with two programs and one preview output.

The **HD-DSK** operates with all current HD and SD standards.

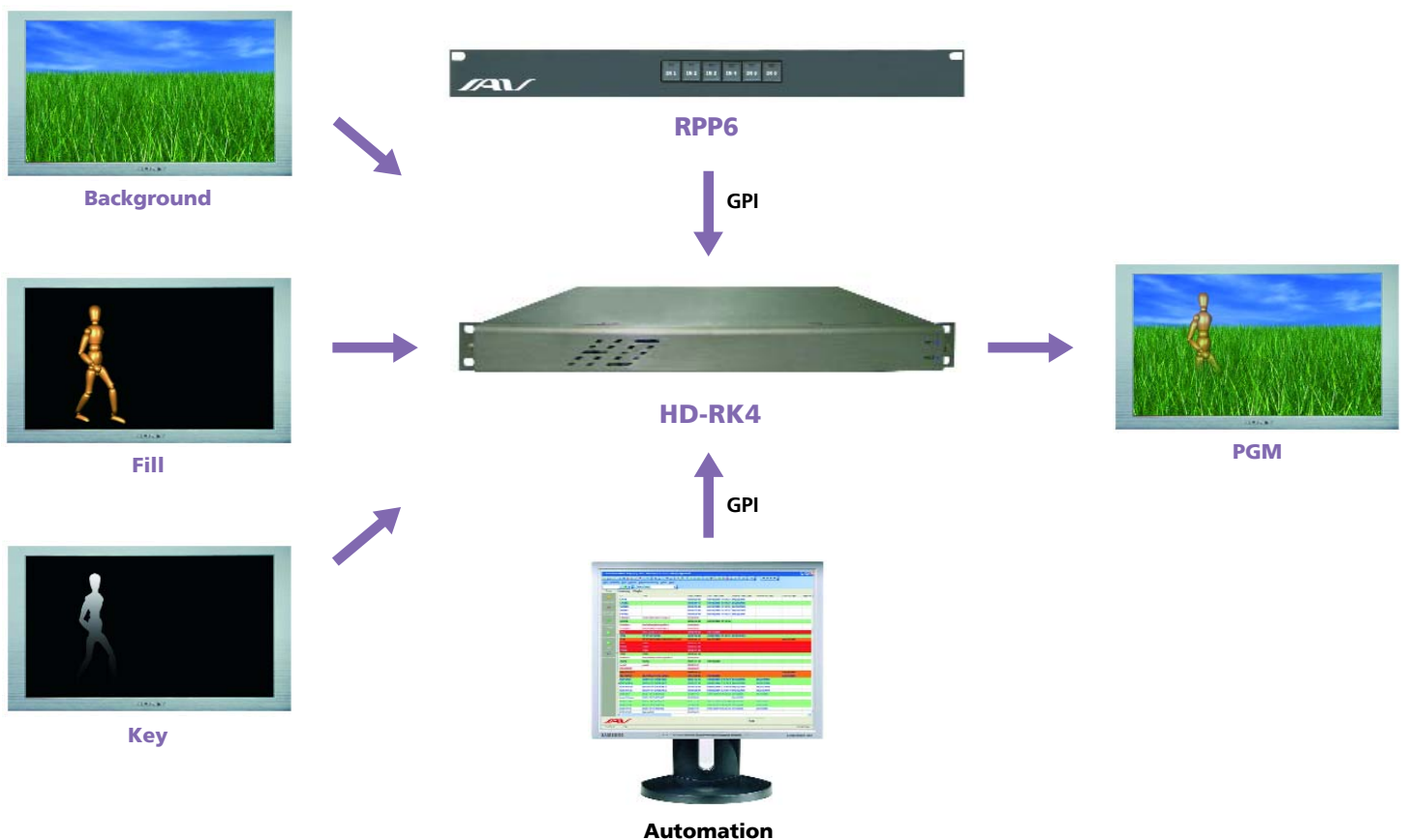
The **HD-DSK** provides his linear keyer. It has cut and fade transitions.

One keyboard can control up to 6 cards at the same time.

The **HD-DSK** is the best ratio quality/price on the market.



**HD-DSK**



## Description

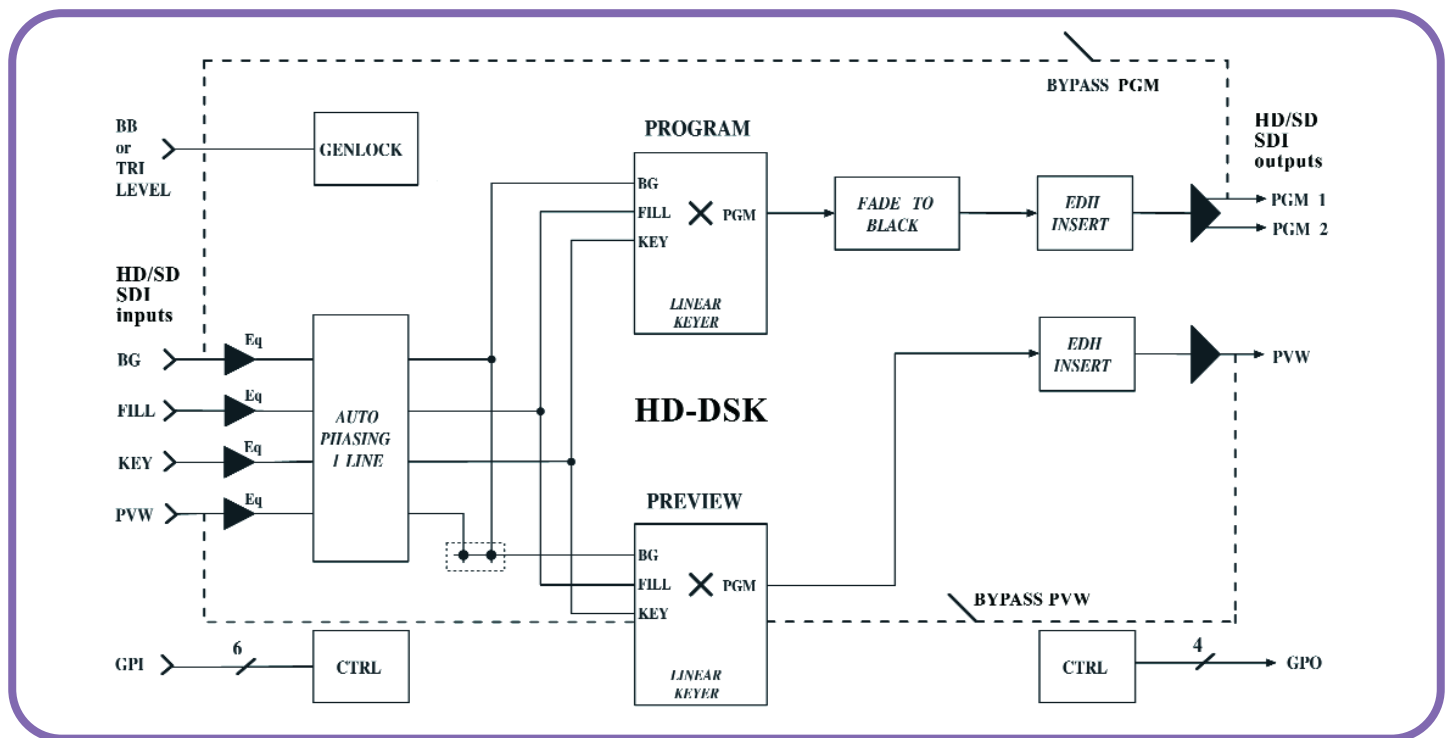
- Broadcast Digital keyer
- Up to 4 keyers in a 1U - 19" frame
- Can be cascaded together with preview input (for multiple layers)
- Automatic by-pass
- Space saving : 1U 19" for 4 HD-DSK boards
- 4 HD-SD inputs & 3 HD-SD outputs

## Applications

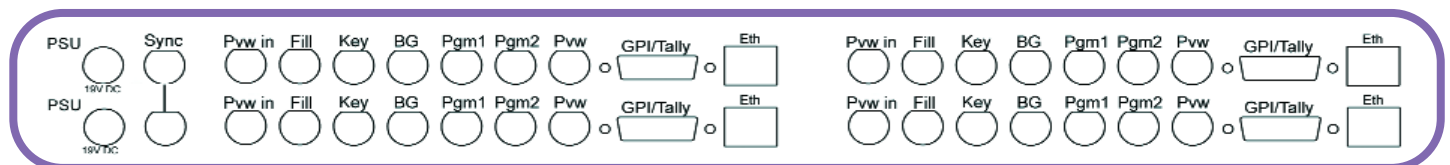
- Add DSK layers to video mixer/switcher...
- Character generator keying
- Logo keying

## Specifications

- Linear Keying (additive or multiplicative)
- SD SDI (270Mb/s) and HD SDI (1.485Gb/s) operation
- DSK-HD is multi standards :
  - > SD 625i (EBU BT601)
  - > SD 525i (SMPTE 125M)
  - > HD 1080i/50 (SMPTE 274M-6)
  - > HD 1080i/59.94 (SMPTE 274M-5)
  - > HD 720p/50 (SMPTE 296M-3)
  - > HD 720p/59.94 (SMPTE296M-2)
- Internal 12 bits
- 1 SDI Program BG input with autophasing 1 line
- 1 SDI Preview input with autophasing 1 line
- 1 SDI Fill input with autophasing 1 line
- 1 SDI Key input with autophasing 1 line
- 2 SDI Program outputs
- 1 SDI Program output with bypass in the rack frame
- 1 SDI Preview output with bypass in the rack frame
- Transparent to ancillary data and embedded audio
- EDH insertion
- 1 analogue reference sync. with loop through
  - > Black burst sync. for SD
  - > Tri-level sync. for HD
- Genlock with horizontal and vertical phasing
- Transition : Cut or Fade
- Fade to black on Program
- 6 GPI operated by connecting to 0 V
- 4 GPO open collector pull-down Tally
- Up to 4 HD-DSK in 1U-19" rack frame
- Power SUPPLY FOR RACK FRAME: max 90W, 100V to 250V, 50/60Hz dual redundant PSUs (optional)
- CE & FCC Part 15 compliant



## Rear Panel HD-RK4



## Related products

- **HD-RK4** : Frame (1U-19") for up to 4 boards with 1 power supply (external)
- **RPP6** : 6 keys GPI remote control panel for HD-DSK boards
- **RPP18** : 18 keys GPI remote control panel for HD-DSK boards
- **PW 90** : Spare or redundant power supply for HD-RK4

