

## General

The **LGA200** is a logo generator with animations.

The Windows PC software provided with the **LGA200** allows to grab the BMP and Targa graphics files in order to create sequences. The sequences allow to create animations that can dynamically change the logo position, transparency and size. Four key levels are available allowing up to 4 independent logos on the screen.

Once the sequences are built they are downloaded in the **LGA200**. Then the **LGA200** needs no more computer as the logos are stored in a non volatile memory.

The **LGA 200** can be controlled by the major automation software, by GPIO and by a remote keyboard allowing the recall of the sequences and the logos repositioning.



LGA200

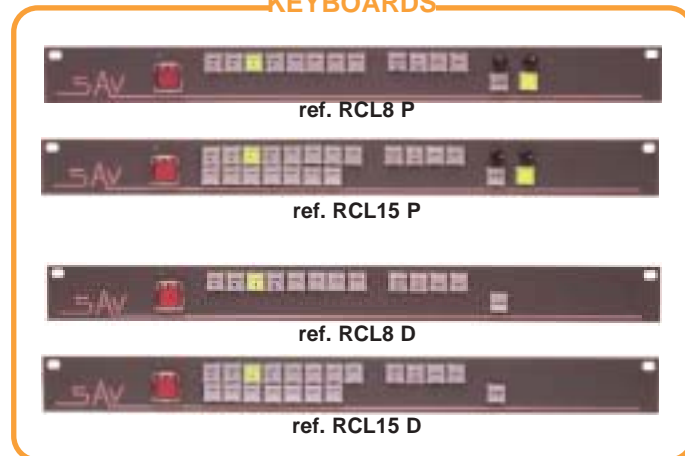
## Common Specifications

- § Up to 4 simultaneous logos (4 layers)
- § Up to 5 Full screen pictures (With 6 Mbytes memory)
- § Format 525/625 lines operation
- § Internal format 4:2:2:4 8 bits
- § Memory size 6 Mbytes of flash Eprom Memory (12 Mbytes video expansion card **M12 OPTION**)
- § Remote controls GPI (close contact), RS232/RS422/RS485 (**RSLD OPTION**) interfaces to SGT, LOUTH, OMNIBUS...
- § PC interface Parallel (bidirectional) or serial RS485 (**RSPC/RSLGA OPTION**)
- § Dimensions 1U/19" (44,5 X483X425mm)
- § Weight 7 Kg
- § Temperature 0 - 45°C
- § Power supply 220 V (110V on request) 50/60 Hz - 20 VA
- § CE & FCC Part 15 compliant

### £ LGA system software specifications

- § Source files 24 bits. BMP or TARGA, 32 bits
- § Key generation Automatic from source file with antialiasing filter
- § Logo sizing
- § Animation sequences Logo positioning/transparency on a field by field basis  
Cyclic animation
- § Hardware test
- § Minimum system request 486PC with Windows 95, 16M of memory, and graphic adaptor 1024X768 and at least 256 colours (not included)

### KEYBOARDS



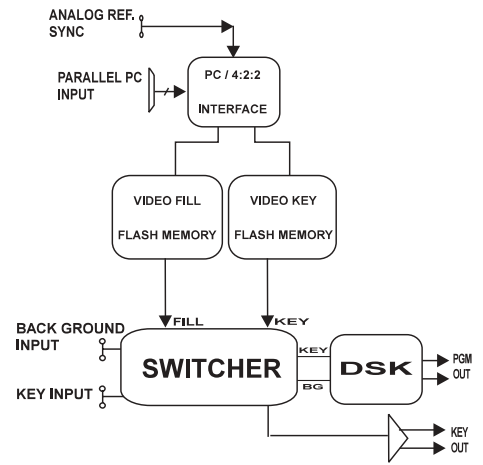
### SCREEN SHOT



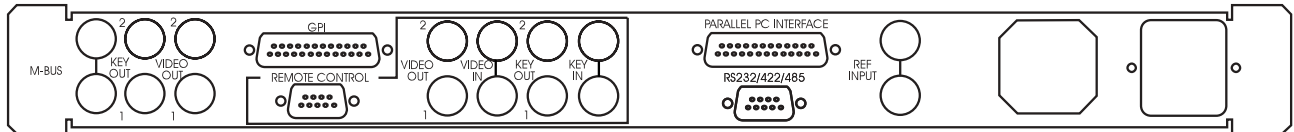
## LGA200P : Analog I/O Logo Generator

### £ PAL/NTSC logo generator with built in keyer LGA200P

- Standards PAL / NTSC operation
- Reference input CCVS (Black Burst) 1Vpp + 6dB with loop-through
- Video fill outputs 2 Composite video
- Video Key Outputs 2 Composite video
- Program input 1 Composite video with loop-through
- Key input 1 Composite video with loop-through (upstream keyer)
- Program outputs 2 Composite video, (1 for bypass)



LGA200P



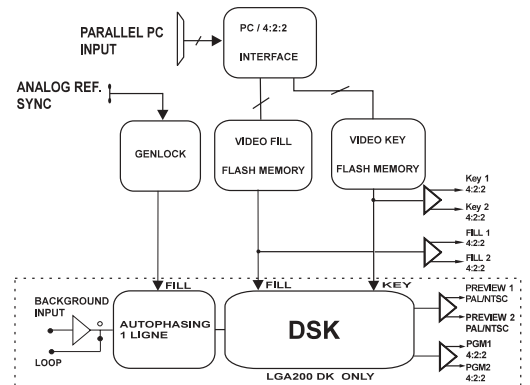
## LGA200D/DK : SDI I/O Logo Generator

### £ Digital logo generator LGA200D

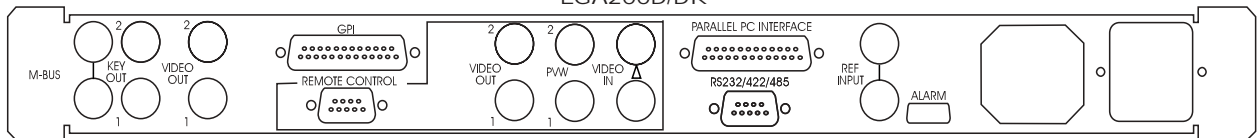
- Digital video outputs 2 SDV (270 MBPS)
- Digital Key outputs 2 SDV (270 MBPS)

### £ Digital logo generator with linear keyer LGA200DK

- Digital keyer 12 Bits
- Reference input, loop through CCVS (Black Burst), 1Vpp ± 6dB with loop-through
- Program input 1 SDV (270 MBPS) with active loop-through and 1h auto phasing
- Video fill outputs 2 SDV (270 MBPS)
- Video Key outputs 2 SDV (270 MBPS)
- Preview outputs 2 Composite video PAL or NTSC
- Program outputs 2 SDV (270 MBPS) (1 with bypass)



LGA200D/DK



## £ ORDERING

§ **LGA200P :**  
PAL/NTSC logo generator with built in keyer

§ **LGA200D :**  
Digital logo generator without built in keyer

§ **LGA200DK :**  
Digital logo generator with built in Keyer  
and 1H autophasing

## £ OPTIONS

- M6** : 6 Mbytes video expansion card
- M12** : 12 Mbytes video expansion card
- RSLP / RSLD** : RS422/485/232 serial port
- RCL8P / RCL8D** : Parallel remote control panel up to 8 logos, 19" 1U (25M max.)
- RCL15P / RCL15D** : Parallel remote control panel up to 15 logos, 19" 1U(25M max.)
- RSPC** : Net work interface for PC, (up to 99 LGA)
- RSLGA** : Net work interface for LGA
- CREM/LGA-10** : 10 meters pack cable for RCL8-15D remote control panel
- CREM/LGA-10** : 25 meters pack cable for RCL8-15D remote control panel