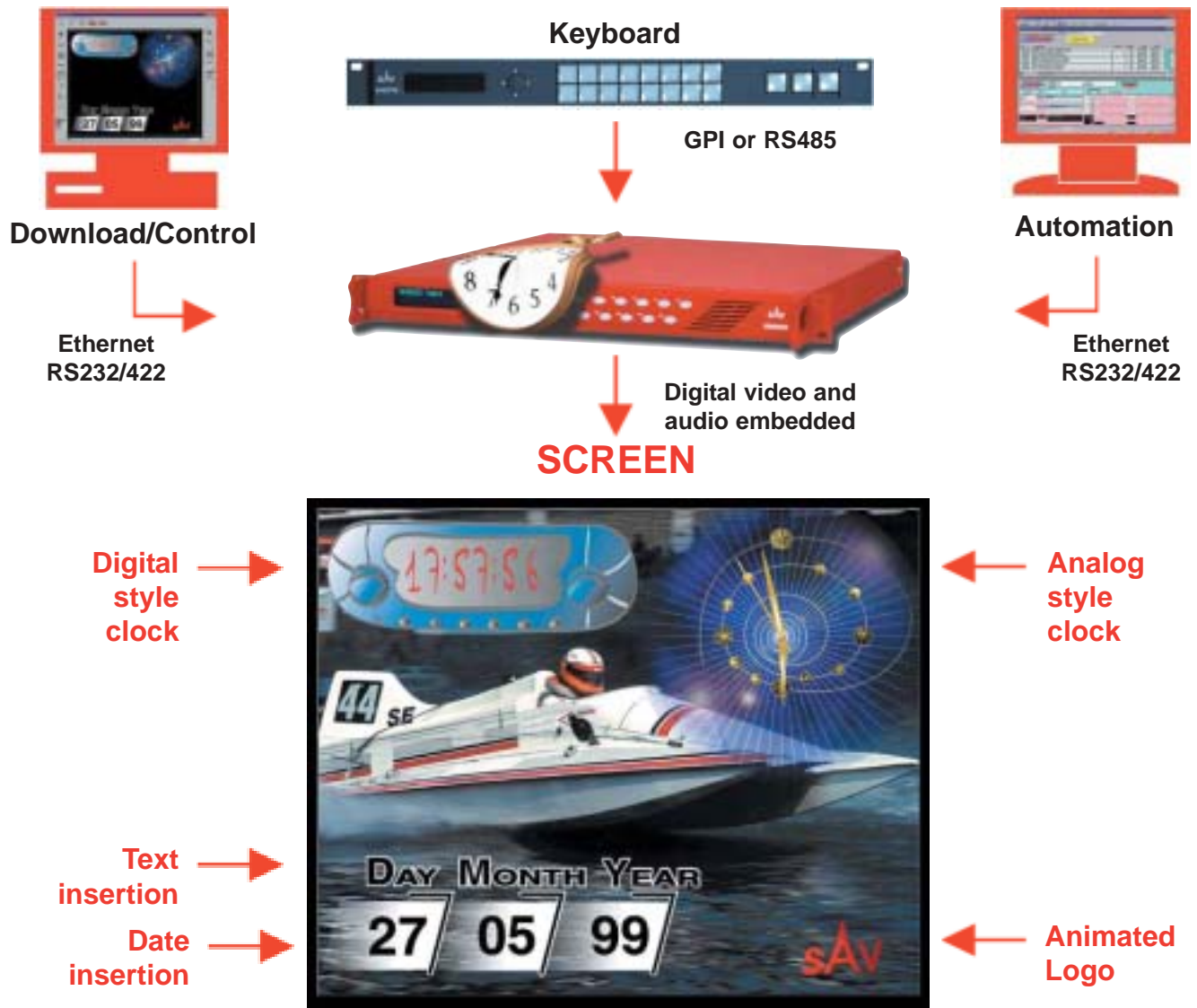


General

Kronoss generates and inserts Clocks, Logos, Animations and Texts into Serial Digital Video.
Kronoss is a Digital Generator with built-in Keyer which supports up to 24 layers and 7 objects. Get several logos, clocks and texts simultaneously on your TV program.
 With **Kronoss** software, all your logos, clocks and texts will be created from any graphic files in a few minutes.
 Positioning, rotation and resizing are processed in Real-Time from the front panel.



- KRONOSS TEMPO** : Clock generator + still logo
- KRONOSS ANIMA** : Clock + still & animated logo
- KRONOSS ILLUSTR** : Clock + still & animated logo + text generator



Specifications

INPUTS

- § Serial component digital inputs SMPTE 259M (10 Bits) 525/625 lines
- § 1 line auto-phasing on any digital input
- § 1 background In (Program), by-pass to program out on power failure
- § 1 fill and key input with loophrough or 2 extra selectable background inputs (Option K-EXT)
- § LTC in or Time code reference input AES/EBU - LTC high impedance XLR
- § 1 analog video reference input with loop through 1 Vp.p.
- § Reference Selection between analog reference input, background input or auxiliary input
- § Horizontal and vertical output phasing
Range : Horizontal 0-1H - Vertical 625 lines

OUTPUTS

- § Serial component digital outputs SMPTE 259M (10 bits)
- § 1 main PGM out with bypass
- § 1 auxiliary PGM out without bypass
- § Transparency for Audio embedded
- § EDH are inserted in PGM outputs
- § 1 Key out
- § 1 Preview digital out
- § 1 Preview analog out (Pal or NTSC)

TIME REFERENCE

- § Linear time code - LTC - input
- § Internal clock (battery back-up) if LTC unavailable
- § Animation triggering on time events

SAFETY

- § Input error detection (EDH)
- § I/O by-pass on system failure
- § Automatic image insertion on program input failure

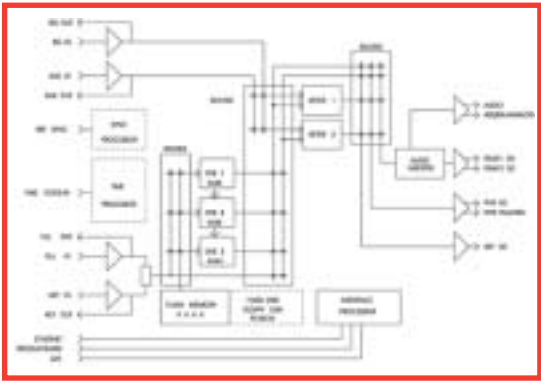
PHYSICAL

- § 1 U rack mounting unit, 19" 485mm depth
- § 100-240V AC 75VA, 50/60 Hz
- § Weight : 8,5 Kg
- § Cooling front to back forced air
- § Temperature 0 - 45°C
- § CE & FCC Part 15 compliant



PICTURES STORAGE CAPTURE

- § Flash Memory : 8 Mbytes "4 full screen pictures"
Expandable up to 72 Mbytes with plug-in modules (44 full screen) pictures
- § Hard disk (Option K-HD)
- § Memory extension (Option K-MEM8, 8MB memory)
(Option K-MEM16, 16 MB memory)



PROCESSING

- § 10 bits 4:2:2 input/output serial digital video
- § 4/3 or 16/9 formats
- § Dual 4:2:2 keyers. Clip and gain adjustment.
- § Keying of an external source or 2 extra selectable background inputs (Option K-EXT)
- § 10 bit 4:4:4:4 Internal processing
- § Up to 3 real time video processors (DVE), with positioning, rotation, resizing
- § Multi-Layer performance

TEXT GENERATOR

- § Support Windows® fonts (True Type and more)
- § 16 millions colours - Transparency - Roll and crawl
- § "on air" text insertion from network or automation files data

SOFTWARE

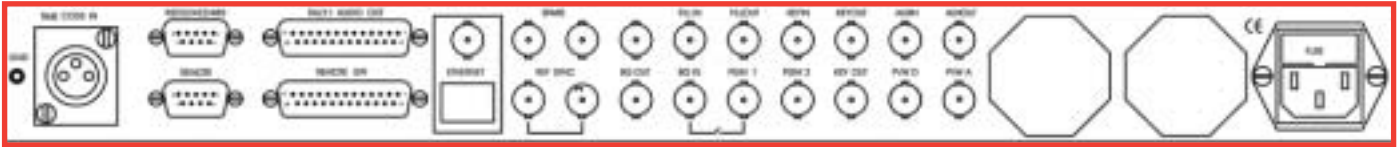
- § Windows 95/98 - Windows NT - Windows 2000 - Windows XP
- § Custom design of analog or digital clock, chronometer, timer
- § Animation of logos, texts, sequences. Direct import of graphic files :
- TARGA (TGA), JPEG (JPG), TIFF, PCX, Kodak (PCD, FPX),
DICOM (DIC), Metafile (WMF), Photoshop (PSD), PNG, Postscript (EPS), SUN (RAS), WordPerfect (WPG), Macintosh Pict (PCT)
Bitmap (BMP)...

REMOTE CONTROL - NETWORKING - AUTOMATION

- § 16 User-programmable GPI, state or pulse
- § 16 User-programmable Tallys
- § Serial port RS232/RS422 up to 115200 b/s, download and control
- § Ethernet 10 Base2 and 10 BaseT, download and control via TCP/IP (Option K-ETH)
- § Front panel keyboard
- § Optional remote keyboards on RS485 network (Option K-RCP16)
Keyboard networking allows control of one KRONOSS from several keyboards

OPTIONAL AUDIO GENERATOR / MIXER WITH EXTERNAL 1U RACK FRAME "JINGLE BOX"

- § Audio files reader
- § Stereo Analog I/O
- § AES/EBU Digital I/O
- § Analog or digital mixer
- § Storage up to 10 hours (hard disk)
Optional Extended Videoboard (Option K-EXT)
- § Adds 2 Serial Digital Inputs with loophrough : fill and Key inputs for external source keying or 2 extra selectable background inputs (Option K-EXT)
- § Auxiliary input used as second background
Optional Extended Flash Memory (Option K-MEM8, K-MEM16)
- § Adds storage capacity of 5 full screen pictures or 50 logos (1/10 frame) (Option K-MEM8)
- § Adds storage capacity of 10 full screen pictures or 100 logos (1/10 frame) (Option K-MEM16)



ORDERING with options

- § **KRONOSS TEMPO** : Analog or Digital style Clock + Still Logo
- § **KRONOSS ANIMA** : Analog or Digital style Clock + Animated Logo
- § **KRONOSS ILLUSTR** : Analog or Digital style Clock, Logo and text

OPTIONS

- § K-RCP16 : Remote Control Panel
- § C422-10 : 10 meters cable for K-RCP16
- § C422-25 : 25 meters cable for K-RCP16
- § K-EXT : Extension board
- § K-ETH : Ethernet board
- § KRONAUDIO : External rack "Jingle box"
- § K-MEM8 : 8 MB memory
- § K-MEM16 : 16 MB memory
- § K-HD : Hard disk drive