

## General

**KRONAUDIO** is an extension for **KRONOSS**.

**KRONAUDIO** generates audio sequences synchronised with the appearance of a video object on the screen (logo, clock...). It can also mix audio sequences with the Audio Input. **KRONAUDIO** is controlled by **Kronoss**, and can manage different parameters as the timing of a sequence, volume, "fade in/fade out"... Audio sequences can be directly recorded or imported via the network, and stored on an internal hard drive offering a minimum storage of 10 hours of linear audio. Audio inputs and outputs are analog and/or digital (AES/EBU).



KRONAUDIO

SCREEN



← Audio sequences synchronised

KRONOSS



Digital video and audio embedded



Download/Control

Ethernet RS232/422



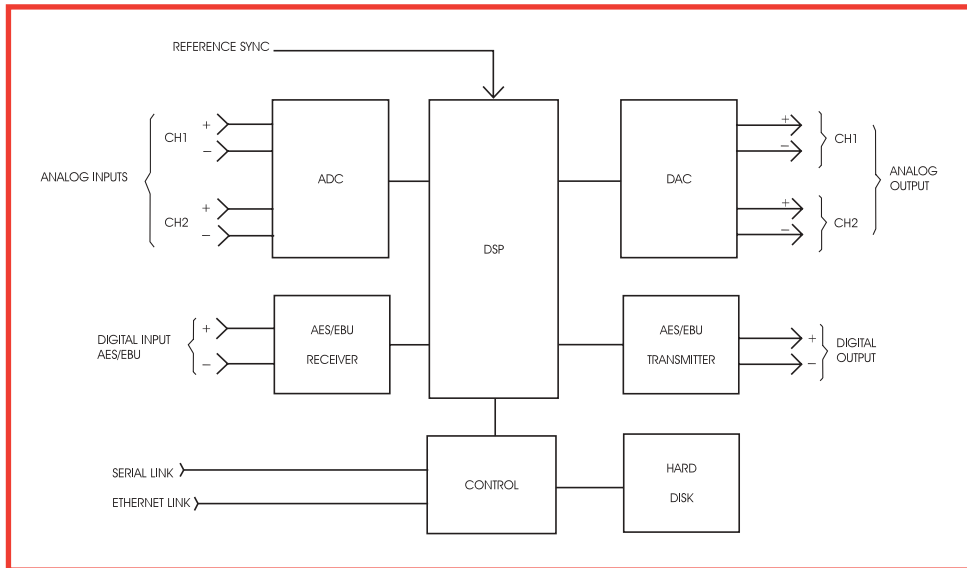
KRONAUDIO



Keyboard



# Specifications



## INPUTS

- § 2 Analog inputs (XLR à Sub D, +4dBu nom/+24 dBU max, balanced)
- § 1 AES/EBU Digital Input (16 bits – XLR à Sub D)
- § 1 analog video reference input (1Vpp - BNC)

## OUTPUTS

- § 1 AES/EBU Digital output (Sub D à XLR)
- § 2 Analog outputs (Sub D à XLR, +4dBu nom/+24 dBU max, balanced)

## PHYSICAL

- § 1 U rack mounting unit 19" 485mm depth
- § Voltage AC 95 - 135V, 180 - 265V AC auto range
- § Power consumption 100VA
- § Weight 10 Kg
- § Cooling front to back forced air
- § Temperature +10 to +40°C
- § CE & FCC Part 15 compliant

## REMOTE CONTROL / NETWORKING / AUTOMATION

- § Serial port RS232/RS422 up to 115200 b/s download and control
- § Serial port RS485 up to 115200 b/s Kronoss control
- § Ethernet 10/100BASE-T, download and control

## AUDIO GENERATOR

- § Play audio files (\*.wav mono/stereo up to 16 bits, 48 Ksamples/s)
- § Synchronised audio playing with Kronoss video insertion
- § Programmable fade in, fade out
- § Digital and analog output

## ORDERING

- § **KRONAUDIO** : K-JAS

## AUDIO MIXER

- § Digital or analog input mixed with audio file playing
- § If digital input used, digital output synchronisation with AES/EBU input
- § If analog input used, digital output synchronisation with analog video reference input

## AUDIO FILES

- § Imported from serial port or Ethernet
- § Recorded from Analog or Digital Inputs
- § Storage up to 10 hours (depending on hard disk capacity)

## SOFTWARE

- § Mixer settings
- § Synchronisation settings
- § Audio files record control